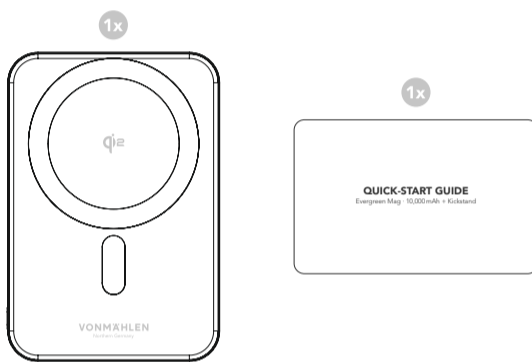


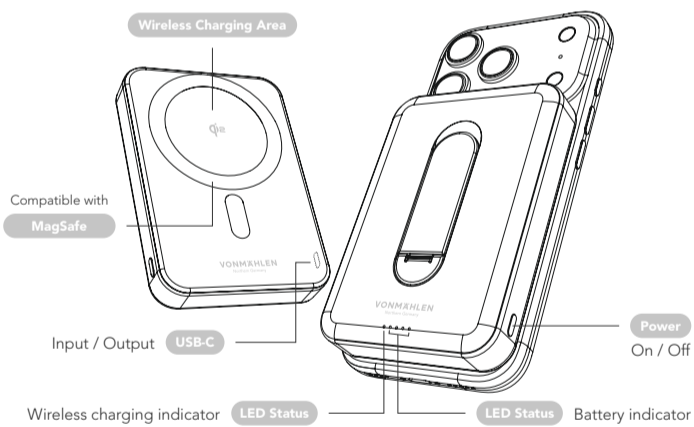
# QUICK-START GUIDE

Evergreen Mag · 10,000mAh + Kickstand

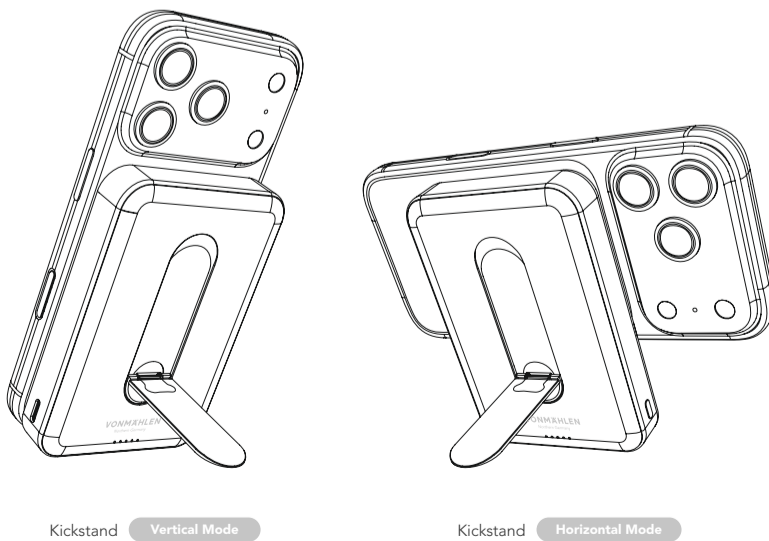
## What's in the Box



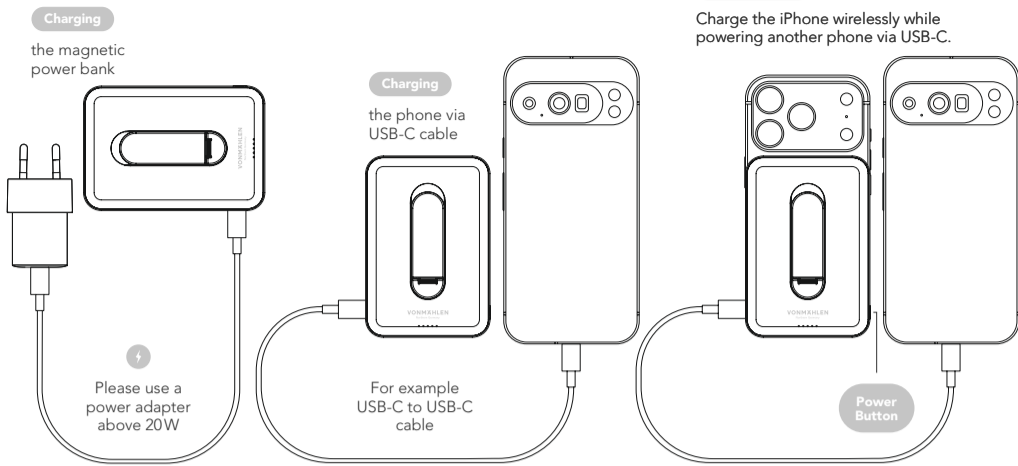
## Functions



## Kickstand



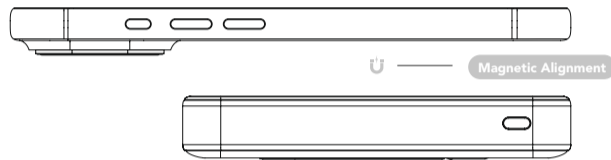
## Application



**Instruction**  
 Simultaneous charging via wireless charging and USB-C is possible. First, place the Evergreen Mag onto a MagSafe-compatible smartphone, then connect the device you would like to charge simultaneously to the power bank using a USB-C cable. USB-C may be automatically prioritized, temporarily disabling wireless charging. To reactivate wireless charging, press the power button on the power bank while USB-C charging continues.

## Wireless Charging

Place your phone on the inductive charging surface.



### LED Status Wireless charging indicator

☼ ● ● ● ● The blue LED lights up permanently when the power bank is charging via induction.

After disconnecting from the phone, the wireless charging indicator flashes slowly for 10 seconds and then turns off.

Foreign Object Detection:

The wireless charging indicator light flashes (blue light), and the flashing interval is 0.5s/time. Flash 10 times.



Wireless charging indicator (blue) LED Status

## LED States



0%-25%    25%-50%    50%-75%    75%-100%

☼ ● ● ● ●    ☼ ● ● ● ●    ☼ ● ● ● ●    ☼ ● ● ● ●

LED Status Battery indicator (white)

LED Status Wireless charging indicator (blue)

## Tech Specs

Battery Type	Integrated Rechargeable Lithium Polymer Battery
Battery Capacity	10,000 mAh / 3.85V / 38.5Wh
Rated Capacity	6,000mAh (5V=2A)
USB-C Port (Input)	5V=3A, 9V=2.22A
USB-C Port (Output)	5V=2A, 9V=2.22A
Wireless Charging (Output)	15W (Max.)
USB-C Port (Output) + Wireless Charging (Output)	5W + 5W (10W Max.)
Product Size	L 102 x W 70 x H 16.5mm
Weight	201.2g

Scan the QR-code for more product information or for other languages.



We reserve the right to make changes without notice in the interest of technical progress.